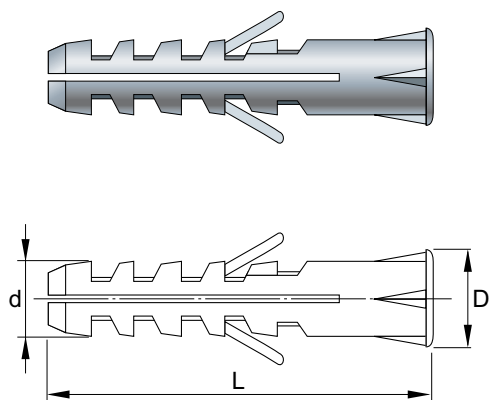


art. 50-55
TASSELLO ESPANSIONE

Impiego - Caratteristiche

Impiego

Mattone pieno, laterizio, calcestruzzo.

Caratteristiche

Corpo: Polietilene

Colore: Grigio

Versione: con bordo

art. 50 con bordo

| Codice | d Diametro foro | L Lunghezza corpo | D Diametro bordo | Diametro vite | Diametro vite consigliato | Confezione | Imballo | Euro x 1000 pz |
|---------|-----------------------|-------------------------|------------------------|------------------|---------------------------------|------------|---------|-------------------|
| 50G525 | 5 | 25 | 6,0 | 2,5 - 4,0 | 3,5 | 200 | 3200 | |
| 50G630 | 6 | 30 | 7,5 | 3,5 - 5,0 | 4,0 | 200 | 3200 | |
| 50G840 | 8 | 40 | 9,5 | 4,5 - 6,0 | 5,0 | 200 | 3200 | |
| 50G1050 | 10 | 50 | 12,5 | 6,0 - 8,0 | 6,0 | 200 | 3200 | |
| 50G1060 | 10 | 60 | 12,5 | 6,0 - 8,0 | 6,0 | 200 | 3200 | |
| 50G1260 | 12 | 60 | 14,5 | 8,0 - 10,0 | 8,0 | 100 | 1600 | |
| 50G1475 | 14 | 75 | 17,5 | 10,0 - 12,0 | 10,0 | 100 | 1600 | |

art. 55 confezione industriale

| Codice | d Diametro foro | L Lunghezza corpo | D Diametro bordo | Diametro vite | Diametro vite consigliato | Confezione | Imballo | Euro x 1000 pz |
|---------|-----------------------|-------------------------|------------------------|------------------|---------------------------------|------------|---------|-------------------|
| 55G525 | 5 | 25 | 6,0 | 2,5 - 4,0 | 3,5 | | 4500 | |
| 55G630 | 6 | 30 | 7,5 | 3,5 - 5,0 | 4,0 | | 4500 | |
| 55G840 | 8 | 40 | 9,5 | 4,5 - 6,0 | 5,0 | | 4500 | |
| 55G1050 | 10 | 50 | 12,5 | 6,0 - 8,0 | 6,0 | | 4500 | |
| 55G1060 | 10 | 60 | 12,5 | 6,0 - 8,0 | 6,0 | | 4500 | |
| 55G1260 | 12 | 60 | 14,5 | 8,0 - 10,0 | 8,0 | | 1500 | |
| 55G1475 | 14 | 75 | 17,5 | 10,0 - 12,0 | 10,0 | | 1500 | |