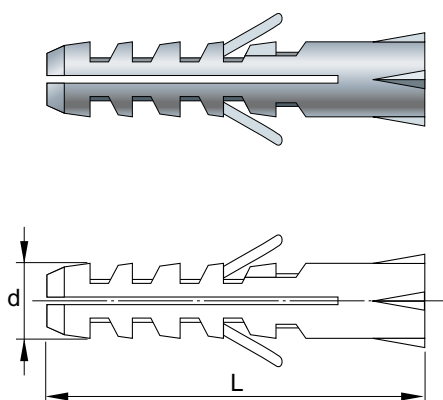


## art. 56-57

## TASSELLO ESPANSIONE



## Impiego - Caratteristiche



## art. 56 senza bordo

**Impiego**

Mattone pieno, laterizio, calcestruzzo.

**Caratteristiche**

Corpo: Polietilene  
 Colore: Grigio  
 Versione: senza bordo

Codice	d Diametro foro	L Lunghezza corpo	Diametro vite	Diametro vite consigliato	Confezione	Imballo	Euro x 1000 pz
56G525	5	25	2,5 - 4,0	3,5	200	3200	
56G630	6	30	3,5 - 5,0	4,0	200	3200	
56G840	8	40	4,5 - 6,0	5,0	200	3200	
56G1050	10	50	6,0 - 8,0	6,0	200	3200	
56G1260	12	60	8,0 - 10,0	8,0	100	1600	
56G1475	14	75	10,0 - 12,0	10,0	100	1600	

## art. 57 confezione industriale

Codice	d Diametro foro	L Lunghezza corpo	Diametro vite	Diametro vite consigliato		Imballo	Euro x 1000 pz
57G525	5	25	2,5 - 4,0	3,5		4500	
57G630	6	30	3,5 - 5,0	4,0		4500	
57G840	8	40	4,5 - 6,0	5,0		4500	
57G1050	10	50	6,0 - 8,0	6,0		4500	
57G1260	12	60	8,0 - 10,0	8,0		1500	
57G1475	14	75	10,0 - 12,0	10,0		1500	